



MAGNUM *DESIGN CENTER* 2003

BEDS/BED ACCESSORIES

MAGNUM | DESIGN CENTER | 2003

igid base in plywood with polyurethane foam padding, covered with a protective laminated fabric

Base with storage that opens, metal platform with wood slats

Bedframe in plywood with polyurethane foam padding, covered with a protective laminated fabric

Base with metal platform with wood slats, adjustable to four height positions: 1st 4.5 cm, 2nd 7.3 cm, 3rd 9.5 cm, 4th 12.6 cm; double-check there is sufficient space to support the platform inside the bed, as shown in the figure

Bedframe in plywood with polyurethane foam padding, covered with a protective laminated fabric

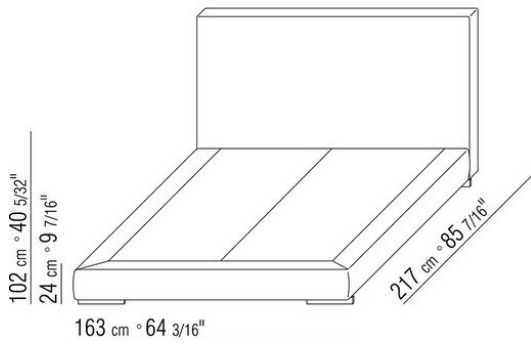
Headboard in solid wood with polyurethane foam padding, covered with a protective laminated fabric

Feet made of glossy transparent methacrylate

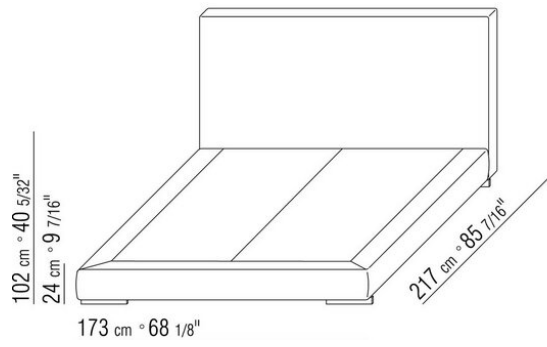
Upholstery is removable in both the fabric and leather versions

Please note: the platform with wooden slats is delivered divided in 2 pieces. Except for the version with storage base

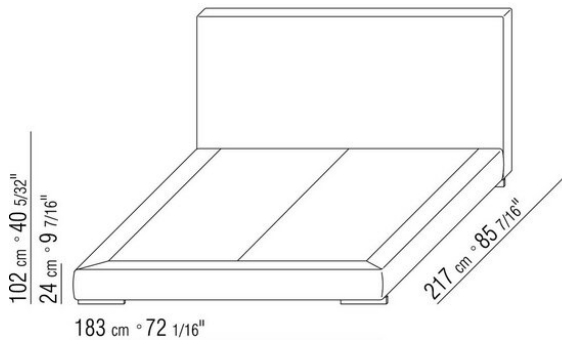
COD. 011UL1



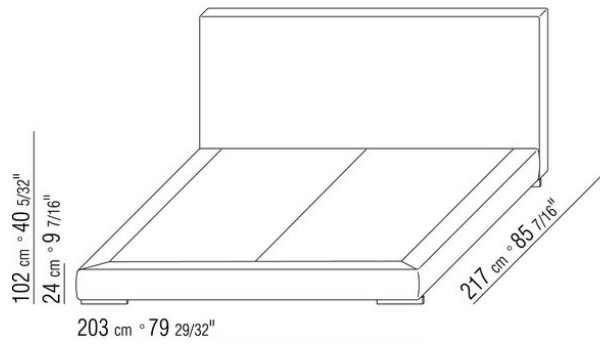
COD. 011UL2



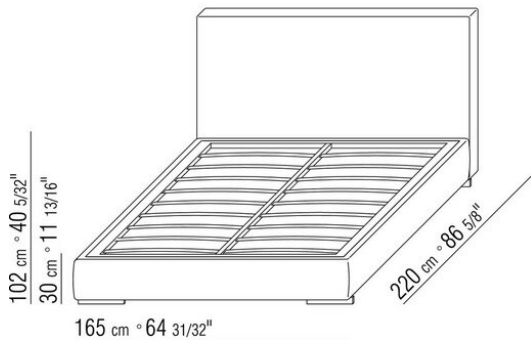
COD. 011UL3



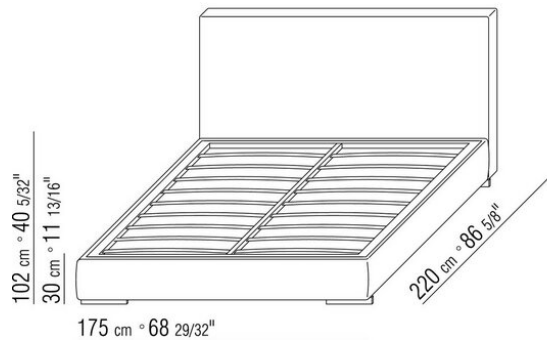
COD. 011UL5



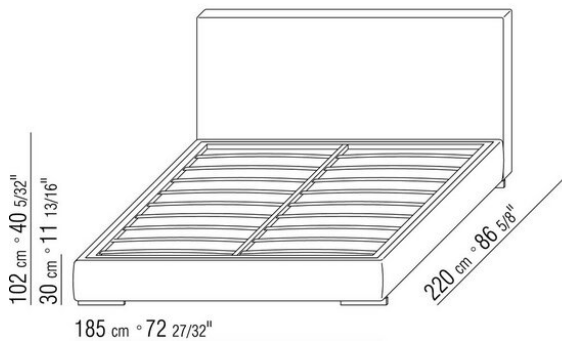
COD. 011UM1



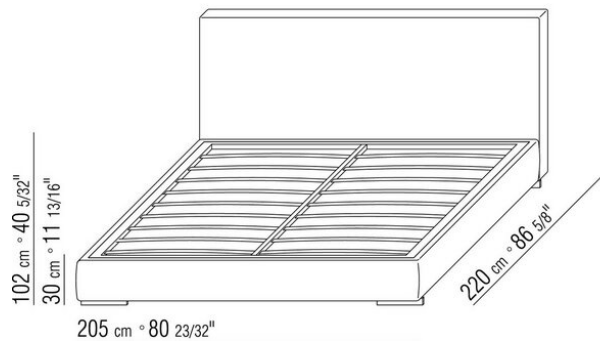
COD. 011UM2



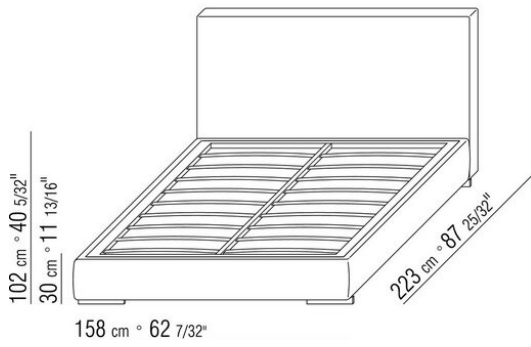
COD. 011UM3



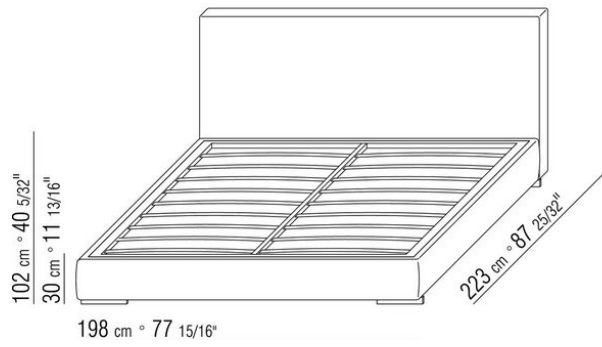
COD. 011UM5



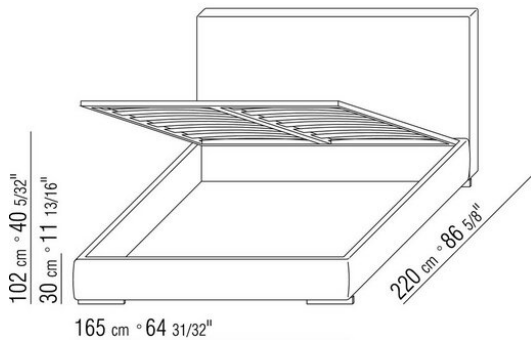
COD. 011UM6



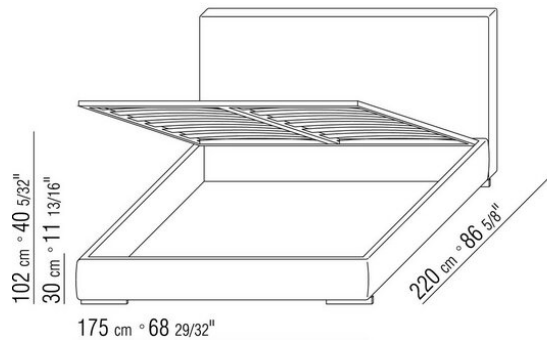
COD. 011UM8



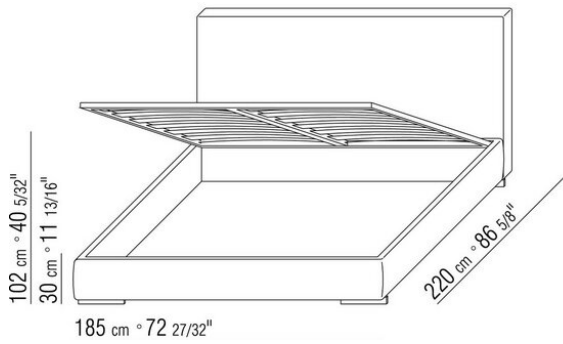
COD. 011UN1



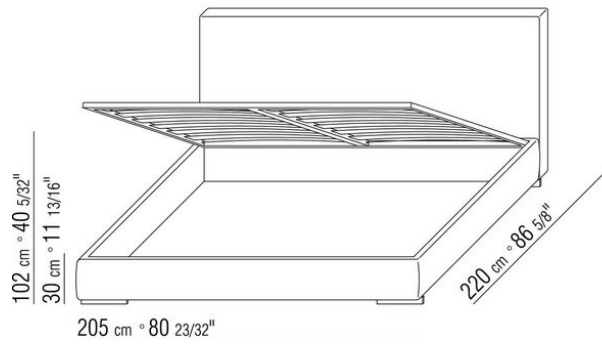
COD. 011UN2



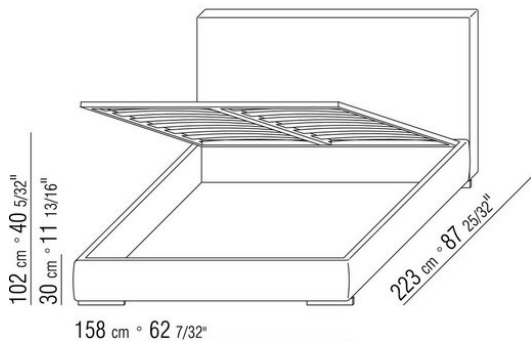
COD. 011UN3



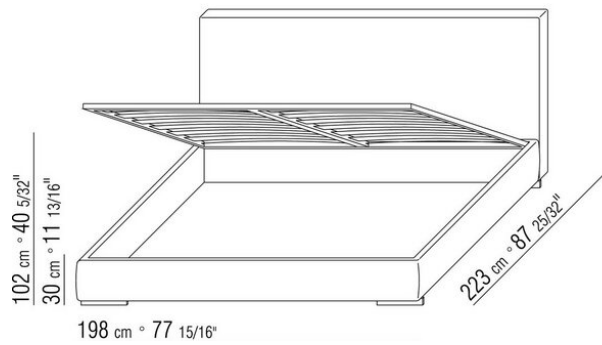
COD. 011UN5



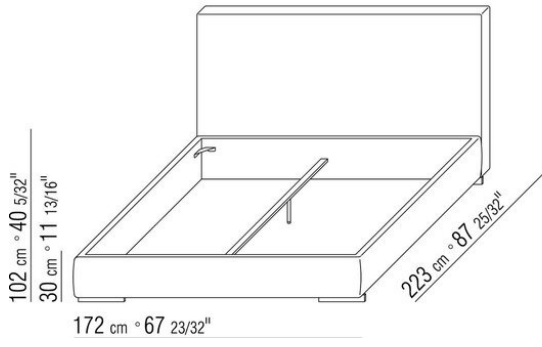
COD. 011UN6



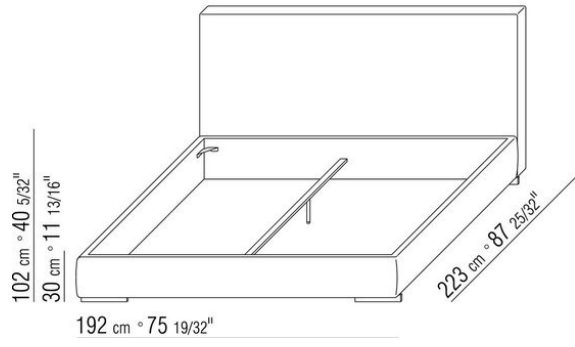
COD. 011UN8



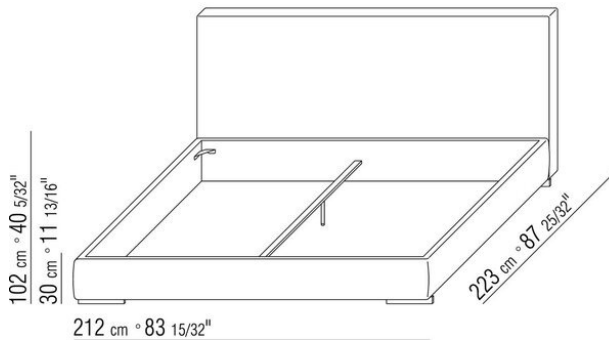
COD. 011UVA



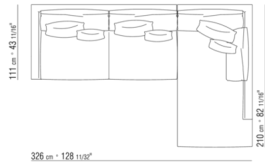
COD. 011UVC



COD. 011UVE

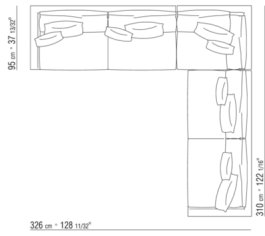


011UXA



- N.1 COD.011UB9 - END UNIT L / DACRON CM.215 x111
- N.3 COD.011U96 - CUSHION CM.40 x40
- N.1 COD.011UC7 - LONG CORNER L /DACRON CM.111 x210
- N.3 COD.011U97 - CUSHION CM.60 x55

011UXB



- N.1 COD.011U79 - END UNIT L CM.215 x95
- N.1 COD.011U78 - END UNIT R CM.215 x95
- N.1 COD.011U70 - CORNER R CM.111 x95
- N.5 COD.011U96 - CUSHION CM.40 x40
- N.5 COD.011U97 - CUSHION CM.60 x55