



GUSCIOALTO *ANTONIO CITTERIO 2011*
ARMCHAIRS

GUSCIOALTO | ANTONIO CITTERIO | 2011

Structure in rigid polyurethane and polyurethane foam

Seat cushions in sterilized goose down (Assopiuma certified, gold label) with insert in crushproof material

Backrest cushion only for Guscioalto Light in polyurethane foam and dacron

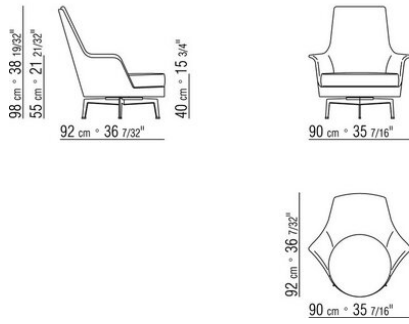
Feet in satined, chrome, burnished, black chrome, glossy anthracite metal with turning system. Or solid canaletto walnut, canaletto walnut extra, Ashwood natural, stained teak, stained ebony, stained wenge, stained walnut, stained brown. Rests on pads made of thermoplastic material

Headrest cushion in sterilized goose down (Assopiuma certified, gold label) with counterweight in metal with satin, chrome, black chrome, burnished, glossy anthracite finish. The headrest cushion is optional, upon request, with upcharge

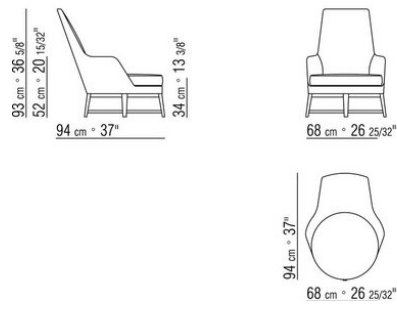
Upholstery is non-removable in both the fabric and leather versions. The possibility to use a fabric has to be checked in advance with Flexform

Piping - only for Guscioalto Light - comes in gros grain, available in all the colors on the sample board. With leather covers the piping comes always in the same leather

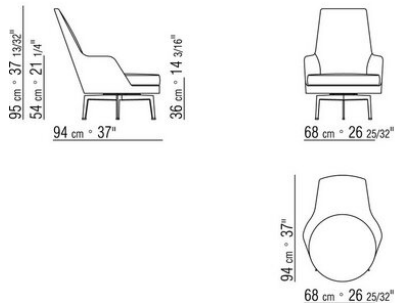
COD. 015M21



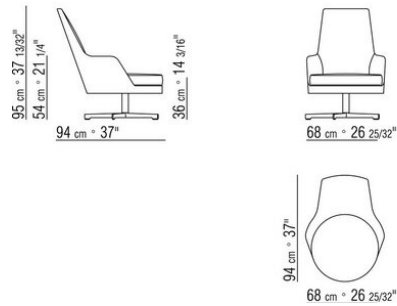
COD. 015M31



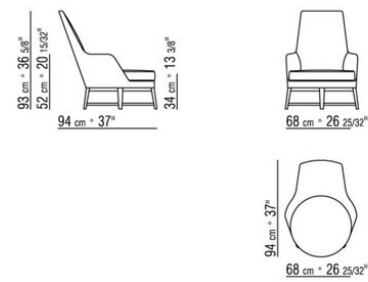
COD. 015M41



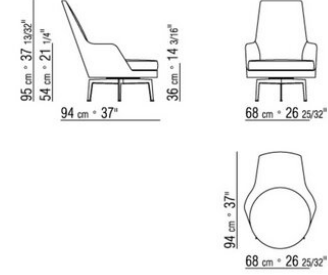
COD. 015M42



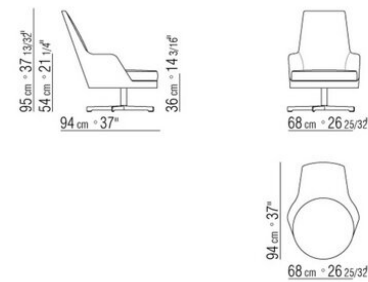
COD. 015M13



COD. 015M11



COD. 015M12



COD. 015M99

